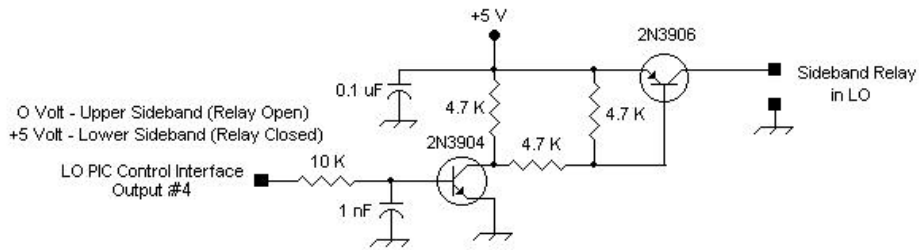
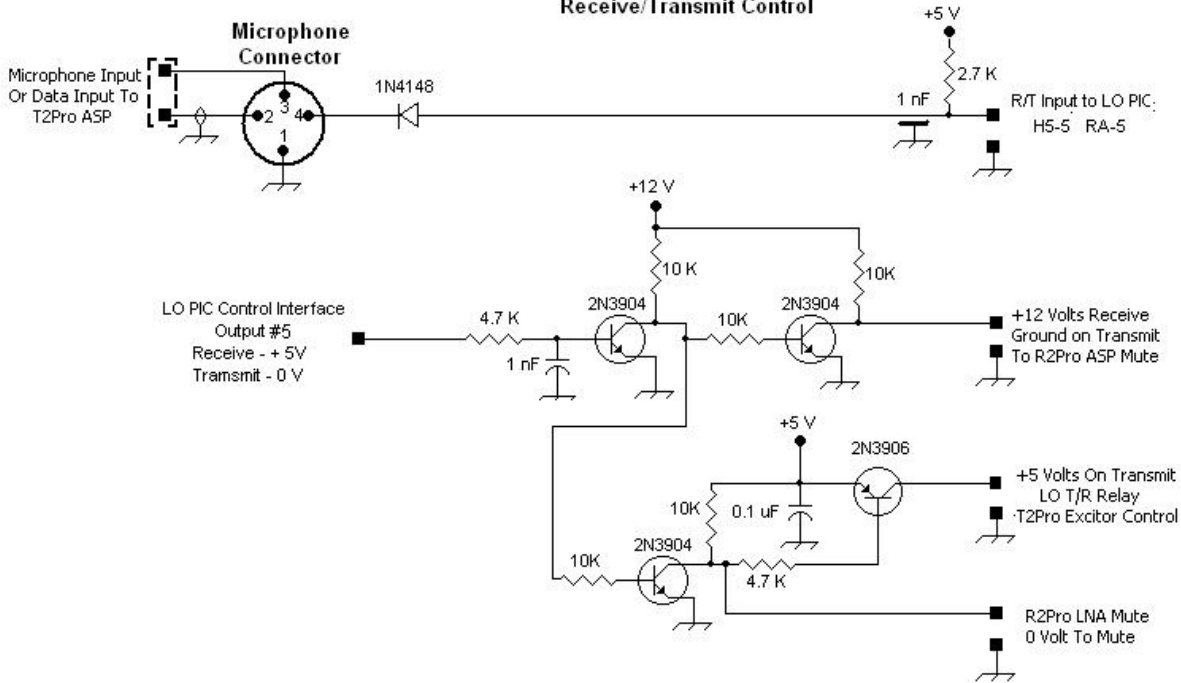


R2Pro Auxiliary Controls

LO Sideband Select Relay Driver



Receive/Transmit Control



ADC Input (Bar Graph)

